

INSTALLING DATA DRIVES

Use the following instructions to add new drives to a BlackPearl chassis.

Ensure ESD Protection

The working environment for the chassis must be free of conditions that could cause electrostatic discharge (ESD). To protect the chassis from ESD, follow these procedures when installing, repairing, or testing the chassis:

- Place a static protection mat on the work surface used while removing and installing system components. Use a 1-megohm resistor to ground the static protection mat.
- Wear a static protection wrist band or grounding foot strap whenever you handle system components that are removed from their anti-static bags. Connect the wrist band to the static protection mat or to other suitable ESD grounding.
- Keep all electronic components in anti-static bags when not in use.

Any damage to a BlackPearl chassis caused by failure to protect it from electrostatic discharge (ESD) voids the BlackPearl chassis' warranty. To protect the drives from damage:



CAUTION

- Wear an anti-static wristband, properly grounded, throughout the procedure. If a wristband is not available, touch a known grounded surface, such as the unpainted metal chassis.
- Leave the drive in its anti-static bag until you are ready to install it.
- Do not place the un-bagged drive on any metal surfaces.

Select the instructions for your chassis:

- [Install a Drive in a Gen2 S Series Chassis](#), below.
- [Install a Drive in a Gen2 V Series Chassis](#) on page 3
- [Install a Drive in a Gen2 X Series Chassis](#) on page 4

Install a Drive in a Gen2 S Series Chassis

1. Disconnect the bezel USB connection and remove the bezel from the chassis. The bezel is held on with magnets.
2. Extend the chassis from the rack far enough to remove the front top cover.

3. Simultaneously press the top cover release buttons (1) on both sides of the chassis.

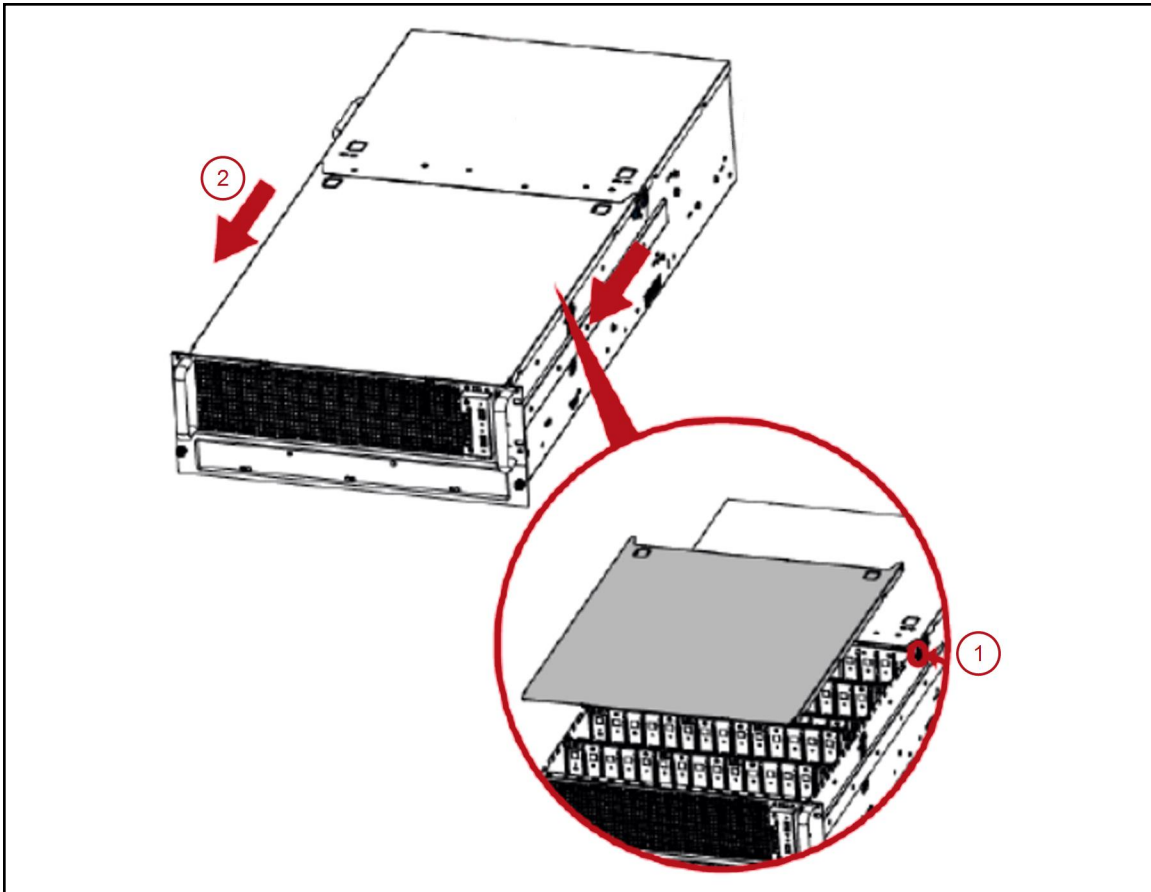


Figure 1 Remove the front top cover.

4. Slide the front top cover toward the front of the chassis (2) and lift the cover upward to remove it.
5. Rotate the drive sled locking tab upward (3).

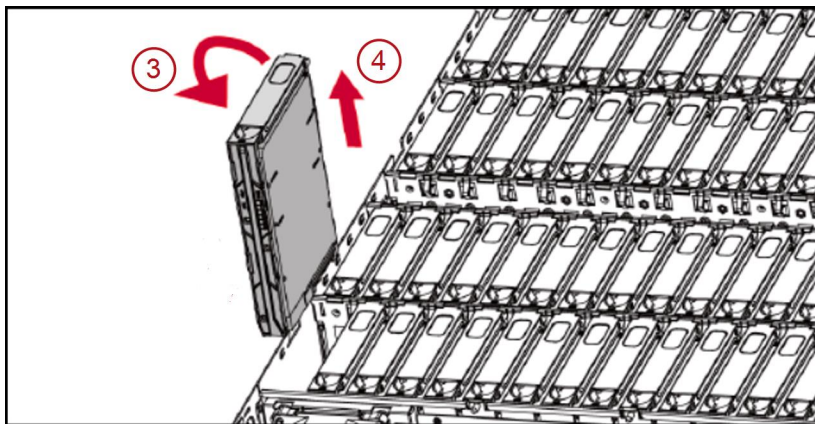


Figure 2 Remove the drive from the BlackPearl chassis.

6. Lift the drive sled out of the chassis (4).

- Match the dimples on the drive sled with the dimples on the drive and insert the drive into the drive sled.

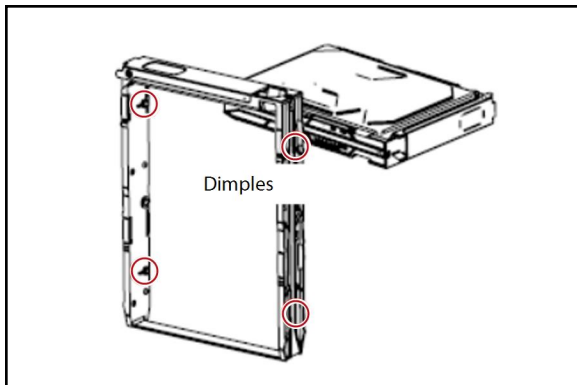


Figure 3 Match the dimples on the drive sled to the dimples on the drive.

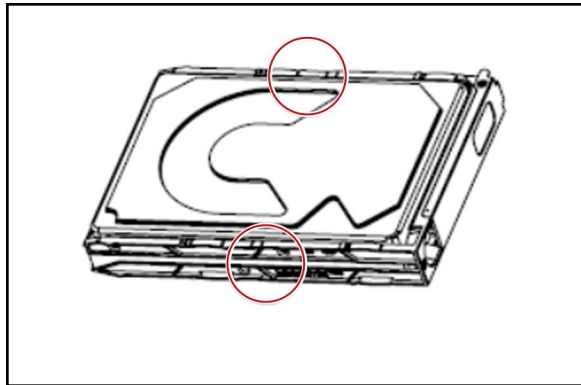


Figure 4 The drive installed in the drive sled.

- With the locking tab in the open position, slide the drive sled back into the chassis and move the locking tab to the locked position. The drive sled slides in easily; do not force it.
- Repeat these instructions, starting with [Step 5 on page 2](#) for each additional drive.
- After installing all of the new drives, slide the cover back on the chassis.
- Reattach the front bezel and the bezel USB connection.

Install a Drive in a Gen2 V Series Chassis

- Disconnect the bezel USB connection and remove the front bezel from the chassis. The front bezel is held on by magnets.
- Press the release buttons (1) on the ends of a tray inward to unlock it.
- Pull the tray out of the chassis(2).

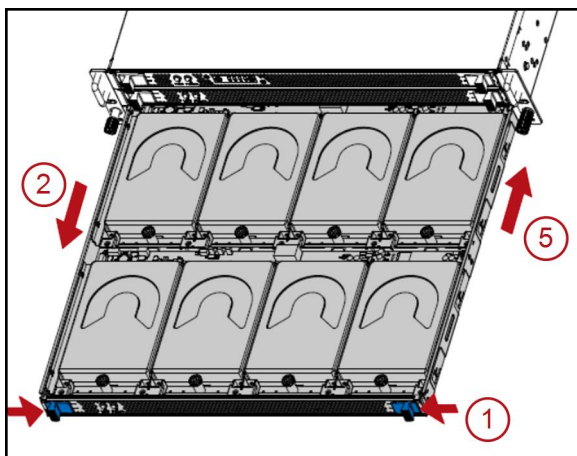


Figure 5 Remove the drive tray.

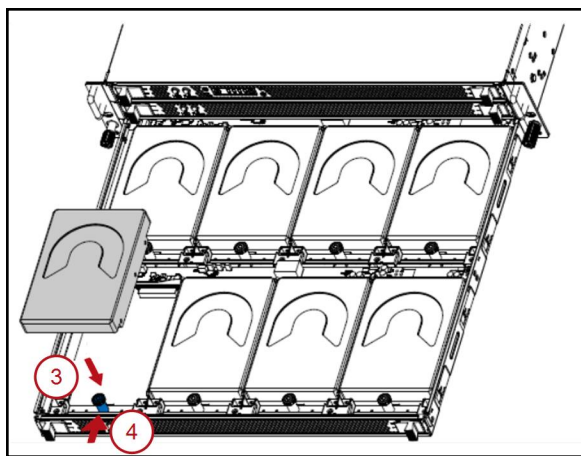


Figure 6 Install the drive.

4. Insert a drive into the chassis (3). If necessary, push the plunger (4) inward to seat the drive. Make sure that the drive is aligned and locked into the tray.
5. Repeat Step 4 until all drives are installed or the tray is full.
6. Push the tray into the chassis (5).
7. If necessary, repeat these instructions starting with Step 2 on page 3 for additional drive trays.
8. Reattach the front bezel and the bezel USB connection.

Install a Drive in a Gen2 X Series Chassis

The drives used in the Gen2 X Series chassis are mounted on drive sleds that ensure proper data and electrical connection with the backplane inside the chassis.

1. Disconnect the bezel USB connection and remove the front bezel from the chassis. The front bezel is held on by magnets.
2. Identify the location where you want to install the drive.
3. Press the release catch (1) on the drive carrier in the direction of the arrow to open the handle (2). Rotate the drive sled handle upward (3) and extend the drive sled slightly out of the chassis by pulling the middle of the handle.



CAUTION Use care to avoid damaging the release latch and drive sled handle.



Figure 7 Drive sled parts.



Figure 8 Remove the drive sled with drive blank and insert the drive sled with drive.

4. Grab the carrier frame below the release handle and pull the drive sled completely out of the drive bay.

**CAUTION**

When hot-swapping a drive or drive sled, the replacement must be completed within five (5) minutes to maintain proper system airflow and cooling. If a replacement will take longer than five minutes, install a drive carrier containing a drive blank to prevent thermal damage to the system.

5. Dispose of the empty sled in accordance with your company's guidelines.
6. New drives are shipped installed in a drive sled. Press the release catch (**1** in [Figure 7 on page 4](#)) on the drive sled in the direction of the arrow to release the handle.
7. With the drive handle (**2**) in the open position, grab the drive sled just below the handle and gently push the drive sled into the drive bay until the handle engages. The drive sled slides in easily; do not force it.
8. Press the drive handle (**2**) downward until the release latch connects with the release catch (**1**) and the drive locks in place.
9. Repeat these instructions, starting with [Step 2 on page 4](#) for each additional drive.
10. Reattach the front bezel and the bezel USB connection.